



Authorized Distributor
Krayden.com 1-800-448-0406



Product Data Sheet

TS5420 Series Needle Valve

The TS5420 Series Needle Valve is a normally closed needle and seat dispensing valve, which is designed to dispense low - medium viscosity fluids. TS5420 Series can dispense very precise deposits over a wide range of deposit sizes. The TS5420 Series is a pneumatically triggered single-acting valve that can be used with an internal spring close (single action) or may be connected for air closing without the spring (double acting).

The internal spring return makes the valve fully adaptable with Techcon Systems controllers. A short opening stroke provides extremely fast, positive shut-off and the external stroke control adjustment allows the operator to fine tune deposit sizes. Air pressure through the air inlet port retracts the needle assembly from the seat allowing fluid to flow from the valve fluid inlet to the Luer lock outlet. Relieving the input air pressure allows the spring to return the needle back to its position, to close the fluid path, ready for the next dispensing cycle.

The valve is shipped with the following items:

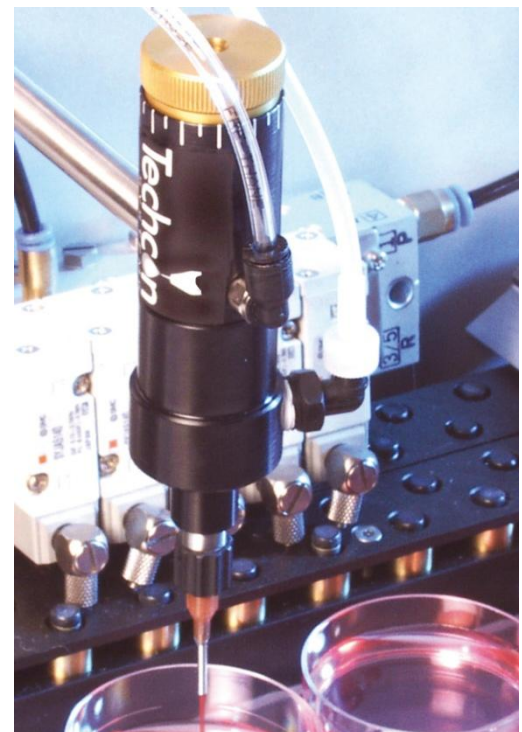
- Mounting bracket kit
- Valve air hose
- Luer lock fluid line
- Fluid inlet fittings - 1/4" compression and Luer lock type
- Dispensing tip selection pack

TYPICAL APPLICATIONS

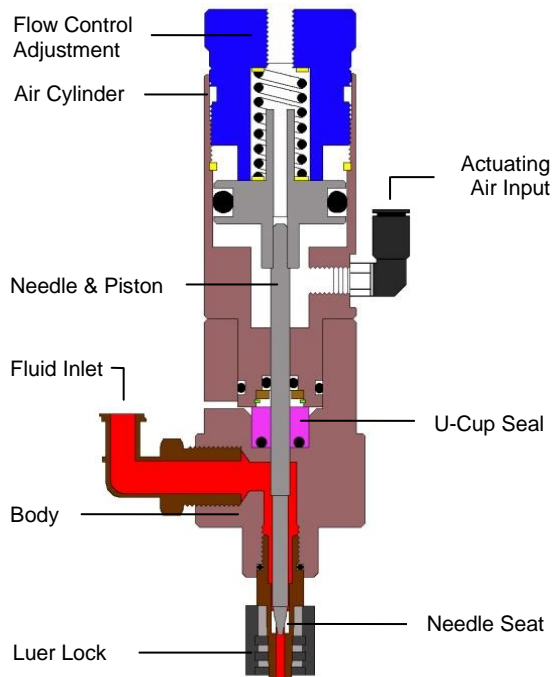
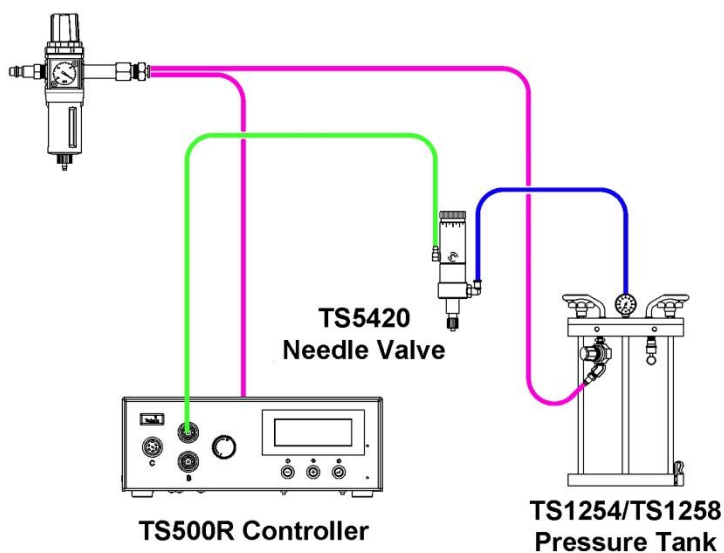
- Applying lubricant in Automotive electrical switches
- Dispensing UV beads in LCD bonding applications
- Impregnating humidity indicator cards (HIC) with fluid chemical in semiconductor packaging applications

KEY FEATURES AND BENEFITS

- Low maintenance design
- Rotating tip allows for easy tip integration
- Can handle fluid pressures up to 300 psi (20.7bar)



TYPICAL SETUP



SPECIFICATIONS & PART NUMBERS

Part Number:	TS5420	TS5420SS
Size (Imperial):	4.6" Length x 1.12"	4.6" Length x 1.12"
Size (Metric):	116.8mm x 28.4mm	116.8mm x 28.4mm
Weight:	0.3 lb (136g)	0.5 lb (227g)
Fluid Inlet Port:	1/8" NPT female	1/8" NPT female
Fluid Outlet Port:	Luer lock male	Luer lock male
Aux Air Inlet Port:	10-32 UNF female	10-32 UNF female
Activation Pressure:	70 psi (4.8bar) Min.	70 psi (4.8bar) Min
Max Fluid Pressure:	300 psi (20.7bar)	300 psi (20.7bar)
Operating Frequency:	400+ cycles/min.	400+ cycles/min.
Mounting Port:	1/4-20 UNC-2B female	1/4-20 UNC-2B female
Viscosity Range:	1 - 100 000cps	1 - 100 000cps

Wetted Parts:	303 SS, Aluminum, Teflon®, Delrin®,	303 SS, Teflon®, Delrin®, EPR
---------------	--	----------------------------------

ACCESSORIES

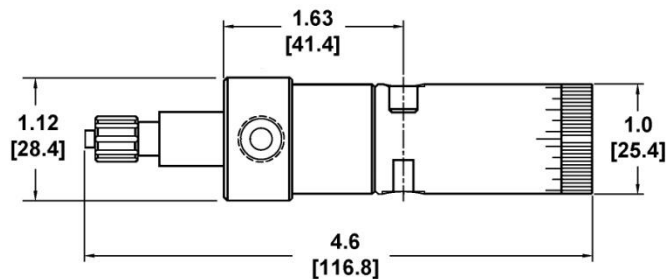
- Fluid reservoirs:** The valve can be fed from the TS1254 or TS1258 Pressure Tank, or from any size syringe barrel or cartridge.
- Dispensing Tips:** For the complete dispensing tip offering please visit www.techconsystems.com



LOCAL DISPENSING SOLUTIONS WORLDWIDE



Dimensions are in inches [mm]



For Sales and Support:

Techcon Systems Corporate Headquarters,
12151 Monarch Street, Garden Grove,
California, 92841, USA.

Tel: 1-714-230-2398, Fax: 1-714-230-2393

E-mail: oemorders@okinternational.com

Techcon Systems European Corporate Office,
Eagle Close, Chandler's Ford Industrial Estate,
Eastleigh, Hampshire, SO53 4NF, UK.

Tel: +44 2380 489 100, Fax: +44 2380 489 109

E-mail: europa-orders@okinternational.com

Or visit www.techconsystems.com